

## URINAL FRAME (IR)

**Article number:**  
2101F-0169-30

**EAN-Code:**  
8681282662579



In addition to concealed cisterns, we provide elements for various other applications that offer versatile solutions for different construction projects, whether they involve new buildings or renovations, whether in the private or public sector.

Our urinal elements ensure a reliable and efficient installation of the urinal, providing a range of features to meet various requirements.

### INSTALLATION METHOD

Installation in prefabricated walls, pre-wall installation in dry walls, universal installation into solid walls

### PROPERTIES

Supporting, powder coated urinal element, square profile 40 x 40 mm

Pre-mounted fixing elements and flexible support legs (0-200 mm)

Height-adjustable bracket for flushing plate mounting

Height-adjustable bracket with water connection

Height-adjustable bracket for urinal mounting

Height-adjustable and rotating Ø 50 mm drain elbow

### PRODUCT CONTAINS

Rough installation set, ID No. 2903S-0174-30

M8 threaded rod (distance up to 280 mm)

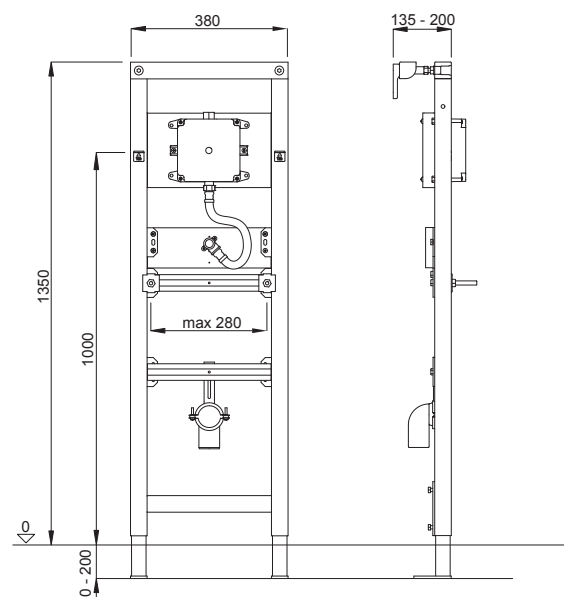
Metal tube Ø 20/20 mm with a Ø 20 mm connecting elbow

All parts required for installation and mounting are supplied with the product

Without a concealed trap

### PACKING

Pallet: 16 Pcs



## FLUSHING PLATES

### IR URINAL FLUSHING PLATES

**TECH P****Bright chrome, 230 V**

(Art. No. 2592Y-0170-30)

**TECH****Stainless metal, 230 V**

(Art. No. 2592Y-0171-30)

**TECH P****Bright chrome, 9 V**

(Art. No. 2592Y-0172-30)

**TECH****Stainless metal, 230 V**

(Art. No. 2592Y-0173-30)